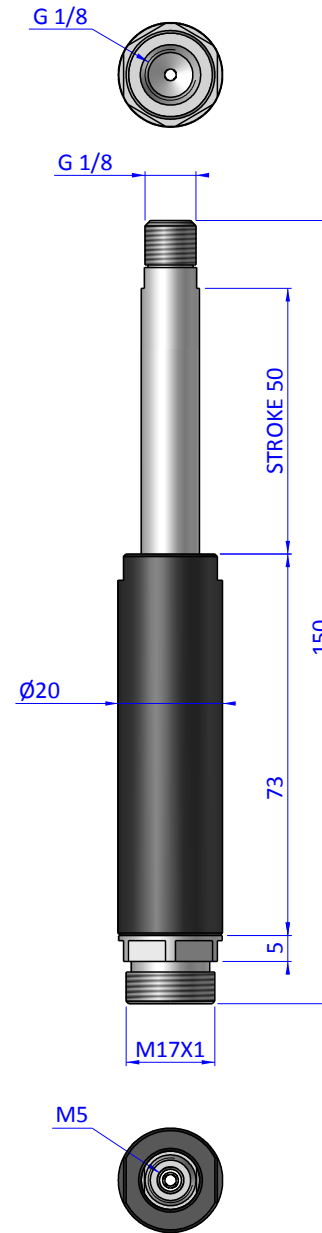
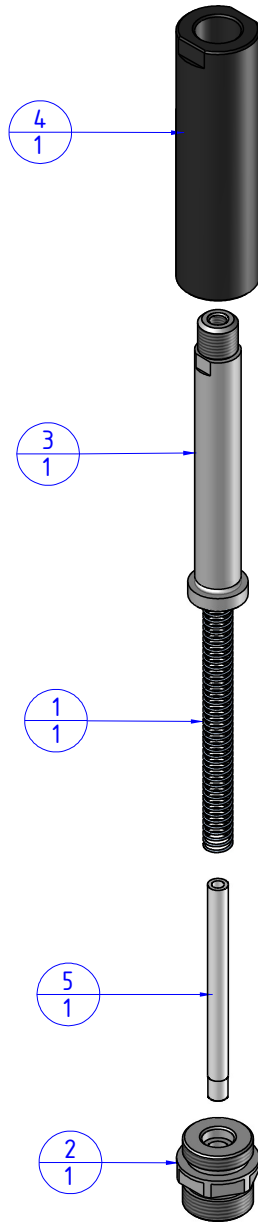


THE PROPERTY OF THE DRAWING IS ESTABLISHED BY LAW. IT IS FORBIDDEN TO PRODUCE OR SHOW IT TO THIRD PARTY, WITHOUT A WRITTEN AGREEMENT.

Object Number	Name	QTY
1	M.8X145	1
2	VSS.20.3	1
3	VSS.2050.1	1
4	VSS.2050.2	1
5	VSS.2050.3	1



Format A3

UNI 936-76

FP SERVICES AUTOMATION		DESIGNED FROM FPSERVICES	REVIEW A
GENERAL TOLERANCE UNI - ISO 2768 CLASSE f	DESCRIPTION CA.SAR.2050	DATE 22/07/2019	WEIGHT 0,057kg
		CODE CA.SAR.2050	